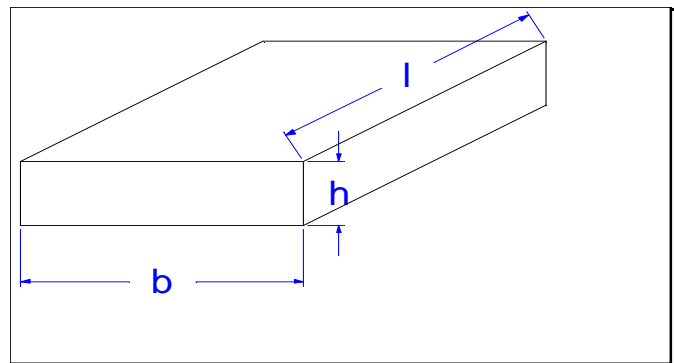
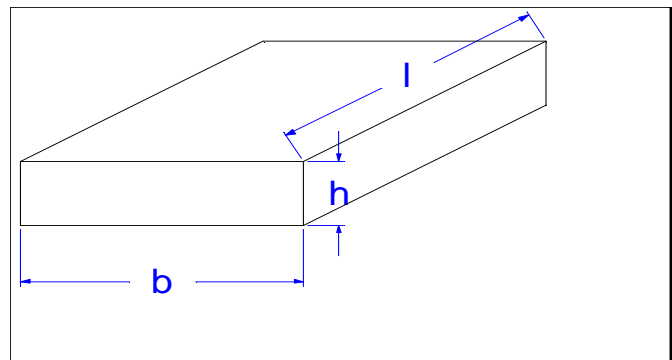


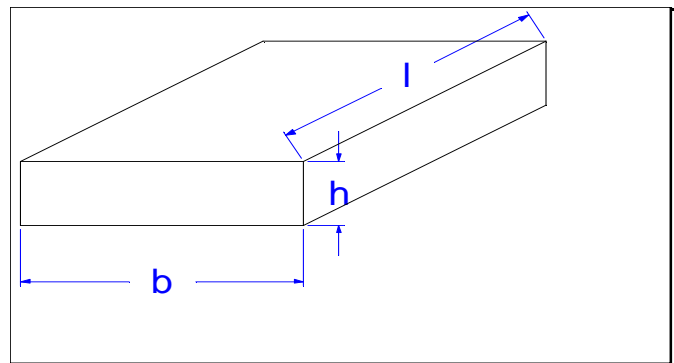
l	b	h	Form-Nr
20,0	20,0	480,0	PLA2-95
21,5	9,5	15,0	PLA2-94
25,0	20,0	15,0	PLA2-9
25,5	24,5	16,0	PLA2-27
27,0	25,0	16,0	PLA2-73
27,0	25,0	17,0	PLA2-66
30,0	20,0	14,0	PLA3-32
30,0	25,0	15,0	PLA3-77
30,0	30,0	17,0	PLA3-33
30,0	30,0	30,0	PLA3-66
33,0	21,0	14,0	PLA3-2
33,0	22,0	14,0	PLA3-11
33,0	33,0	21,0	PLA3-96
33,5	19,5	14,0	PLA3-42
34,0	20,0	14,0	PLA3-16
34,0	25,0	14,0	PLA3-20
34,0	25,0	16,0	PLA3-36
34,5	22,0	15,0	PLA3-15
34,5	24,0	15,0	PLA3-3
35,0	20,0	15,0	PLA3-4
35,0	24,0	14,0	PLA3-1
35,0	25,0	15,0	PLA3-8
35,0	29,0	15,0	PLA3-31
35,0	34,0	20,0	PLA3-58
35,0	34,5	20,0	PLA3-86
36,0	20,0	15,0	PLA3-47
36,0	22,0	14,0	PLA3-21
36,0	24,0	15,0	PLA3-26
36,0	25,0	16,0	PLA3-39
36,0	28,0	14,0	PLA3-25
36,0	30,0	20,0	PLA3-5
36,0	34,0	34,0	PLA3-57
36,0	36,0	34,0	PLA3-51
37,0	21,0	14,0	PLA3-46
38,0	24,0	14,5	PLA3-37
38,0	29,0	24,0	PLA3-74
38,5	22,5	32,0	PLA3-44
39,0	30,0	20,0	PLA3-22
40,0	23,0	15,0	PLA4-10
40,0	25,0	15,0	PLA4-11
40,0	25,0	20,0	PLA4-8
40,0	25,0	25,0	PLA4-96
40,0	25,0	1170,0	PLA4-113



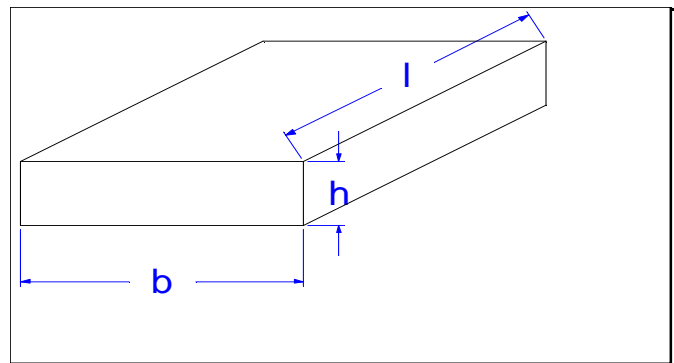
l	b	h	Form-Nr
40,0	26,0	20,0	PLA4-71
40,0	28,0	20,0	PLA4-33
40,0	30,0	15,0	PLA4-17
40,0	30,0	28,0	PLA4-83
40,0	34,0	34,0	PLA4-52
40,0	35,0	20,0	PLA4-22
40,0	35,0	32,0	PLA4-39
40,0	37,0	30,0	PLA4-110
40,0	39,5	22,5	PLA4-81
40,0	39,5	23,0	PLA4-69
40,0	40,0	20,0	PLA4-4
40,0	40,0	22,0	PLA4-104
40,0	40,0	25,0	PLA4-93
40,0	40,0	30,0	PLA4-62
40,5	30,5	21,0	PLA4-9
41,0	40,0	21,0	PLA4-72
42,0	20,0	15,0	PLA4-18
42,0	24,0	16,5	PLA4-3
42,0	25,0	15,0	PLA4-5
42,0	25,0	16,0	PLA4-6
42,0	25,0	18,0	PLA4-13
42,0	26,0	16,0	PLA4-12
42,0	28,0	20,0	PLA4-24
42,0	32,0	30,0	PLA4-107
42,0	37,0	20,0	PLA4-36
43,0	24,0	16,0	PLA4-1
43,0	25,0	16,5	PLA4-2
43,0	40,0	24,0	PLA4-44
43,5	42,0	23,0	PLA4-90
44,0	25,0	15,0	PLA4-35
44,0	26,0	18,0	PLA4-27
44,0	42,0	23,0	PLA4-68
45,0	22,0	17,0	PLA4-16
45,0	24,0	22,0	PLA4-59
45,0	25,0	15,0	PLA4-34
45,0	26,0	16,5	PLA4-40
45,0	30,0	15,0	PLA4-79
45,0	30,0	20,0	PLA4-15
45,0	30,0	23,0	PLA4-97
45,0	30,0	24,0	PLA4-45
45,0	36,0	25,0	PLA4-26
45,0	36,0	36,0	PLA4-37
45,0	40,0	20,0	PLA4-108



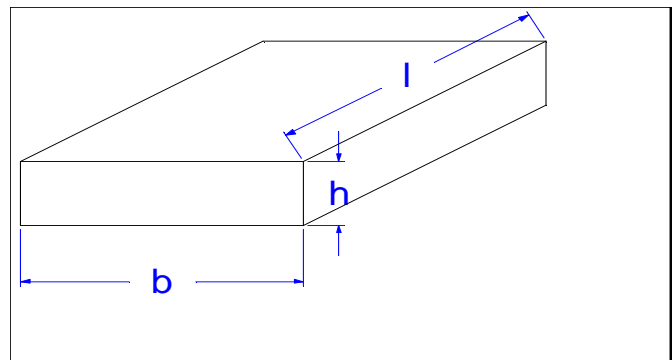
l	b	h	Form-Nr
45,0	40,0	23,0	PLA4-78
45,0	40,0	25,0	PLA4-85
45,0	40,0	40,0	PLA4-111
45,0	43,0	24,0	PLA4-106
48,0	30,0	20,0	PLA4-99
48,0	40,0	20,0	PLA4-70
49,0	24,0	22,0	PLA4-98
50,0	25,0	20,0	PLA5-8
50,0	26,0	24,0	PLA5-87
50,0	28,0	25,0	PLA5-44
50,0	30,0	19,0	PLA5-31
50,0	30,0	20,0	PLA5-5
50,0	30,0	22,0	PLA5-16
50,0	30,0	29,0	PLA5-45
50,0	32,0	20,0	PLA5-26
50,0	32,0	25,0	PLA5-23
50,0	33,0	30,0	PLA5-50
50,0	35,0	20,0	PLA5-61
50,0	35,0	25,0	PLA5-81
50,0	38,0	38,0	PLA5-86
50,0	40,0	14,0	PLA5-14
50,0	40,0	24,0	PLA5-12
50,0	40,0	26,0	PLA5-13
50,0	40,0	30,0	PLA5-4
50,0	50,0	22,0	PLA5-48
50,0	50,0	33,0	PLA5-35
50,0	50,0	45,0	PLA5-49
50,8	41,3	20,6	PLA5-82
52,0	38,0	22,0	PLA5-59
52,0	45,0	32,0	PLA5-40
52,5	30,0	20,0	PLA5-1
53,0	30,0	20,0	PLA5-7
53,0	43,0	25,0	PLA5-84
54,0	31,0	20,0	PLA5-22
55,0	20,0	15,0	PLA5-9
55,0	25,0	25,0	PLA5-78
55,0	30,0	20,0	PLA5-55
55,0	32,0	22,0	PLA5-29
55,0	50,0	16,0	PLA5-2
55,0	55,0	30,0	PLA5-47
56,0	35,0	21,0	PLA5-57
56,0	36,0	21,0	PLA5-66
56,5	51,0	18,0	PLA5-10



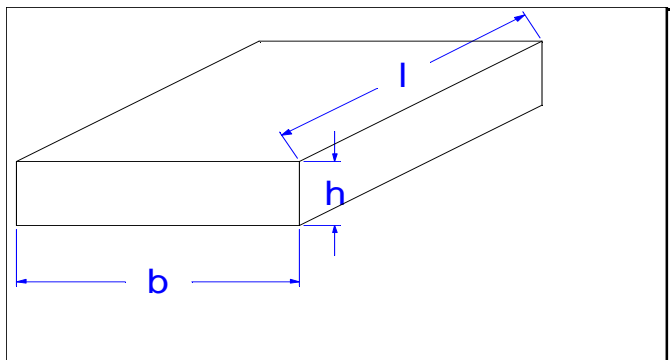
l	b	h	Form-Nr
57,0	50,0	36,0	PLA5-27
58,0	30,0	15,0	PLA5-21
58,0	35,0	20,0	PLA5-20
58,0	35,0	24,0	PLA5-41
58,0	35,0	25,0	PLA5-79
58,0	35,0	32,0	PLA5-58
58,0	40,0	22,0	PLA5-62
58,0	43,0	28,0	PLA5-33
58,0	45,0	22,0	PLA5-71
59,0	30,0	22,0	PLA5-46
59,0	34,0	19,0	PLA5-30
59,0	35,0	20,0	PLA5-6
59,0	37,0	23,0	PLA5-37
59,0	40,0	23,0	PLA5-11
59,0	40,0	30,0	PLA5-28
59,0	45,0	26,0	PLA5-17
60,0	30,0	25,0	PLA6-53
60,0	30,0	30,0	PLA6-89
60,0	35,0	20,0	PLA6-5
60,0	35,0	22,0	PLA6-27
60,0	36,0	20,0	PLA6-14
60,0	36,0	22,0	PLA6-18
60,0	38,0	24,0	PLA6-39
60,0	39,5	23,5	PLA6-29
60,0	40,0	22,0	PLA6-32
60,0	40,0	23,0	PLA6-98
60,0	40,0	23,5	PLA6-64
60,0	40,0	24,0	PLA6-4
60,0	40,0	25,0	PLA6-13
60,0	40,0	26,0	PLA6-47
60,0	40,0	28,0	PLA6-62
60,0	40,0	32,0	PLA6-59
60,0	40,0	35,0	PLA6-87
60,0	42,0	23,0	PLA6-44
60,0	43,0	26,0	PLA6-19
60,0	44,0	24,0	PLA6-77
60,0	45,0	21,0	PLA6-69
60,0	45,0	22,0	PLA6-48
60,0	45,0	22,5	PLA6-74
60,0	45,0	23,0	PLA6-78
60,0	45,0	24,0	PLA6-9
60,0	45,0	25,0	PLA6-12
60,0	45,0	26,0	PLA6-61



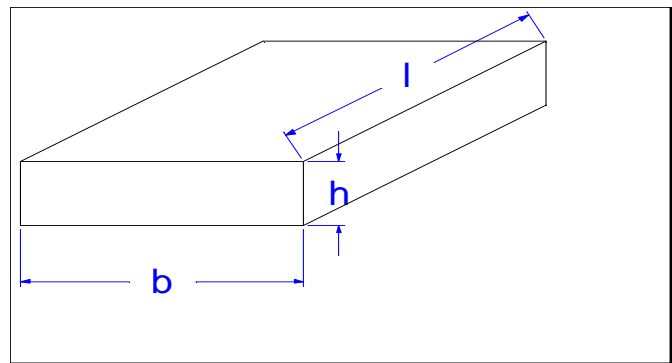
l	b	h	Form-Nr
60,0	45,0	30,0	PLA6-101
60,0	50,0	23,0	PLA6-7
60,0	50,0	25,0	PLA6-60
60,0	50,0	30,0	PLA6-104
60,0	50,0	50,0	PLA6-72
60,0	54,0	28,0	PLA6-28
60,0	55,0	25,0	PLA6-65
60,0	55,0	30,0	PLA6-68
60,0	60,0	17,0	PLA6-79
60,0	60,0	18,0	PLA6-24
60,0	60,0	30,0	PLA6-88
60,0	60,0	60,0	PLA6-75
60,5	39,5	24,5	PLA6-55
60,5	43,0	24,5	PLA6-54
61,0	40,0	24,0	PLA6-3
61,0	40,0	25,0	PLA6-8
61,0	44,0	26,0	PLA6-105
61,0	45,0	21,0	PLA6-20
61,0	45,0	24,0	PLA6-82
61,5	50,0	28,0	PLA6-66
62,0	35,0	24,0	PLA6-71
62,0	40,0	21,0	PLA6-57
62,0	40,0	25,0	PLA6-11
62,0	45,0	24,0	PLA6-2
62,0	51,0	28,0	PLA6-40
63,0	41,0	25,0	PLA6-58
63,0	45,0	25,0	PLA6-95s
63,0	50,0	28,0	PLA6-1
63,0	52,0	30,0	PLA6-96
63,5	38,1	23,8	PLA6-46
64,0	50,0	28,0	PLA6-67
65,0	32,0	22,0	PLA6-80
65,0	35,0	25,0	PLA6-106
65,0	40,0	24,0	PLA6-93
65,0	45,0	25,0	PLA6-16
65,0	48,0	14,0	PLA6-37
65,0	50,0	22,0	PLA6-76
65,0	50,0	25,0	PLA6-86
65,0	50,0	27,0	PLA6-17
65,0	51,0	31,0	PLA6-94
68,0	30,0	15,0	PLA6-34
68,0	40,0	17,0	PLA6-38
68,0	45,0	34,0	PLA6-91



l	b	h	Form-Nr
68,0	50,0	15,0	PLA6-33
70,0	18,0	18,0	PLA1-21
70,0	33,0	29,0	PLA7-32
70,0	40,0	23,0	PLA7-27
70,0	40,0	25,0	PLA7-8
70,0	45,0	23,0	PLA7-7
70,0	45,0	25,0	PLA7-23
70,0	45,0	40,0	PLA7-33
70,0	50,0	20,0	PLA7-9
70,0	50,0	22,0	PLA7-13
70,0	50,8	30,8	PLA7-38
70,0	52,0	15,0	PLA7-35
70,0	55,0	28,0	PLA7-3
70,0	56,0	21,0	PLA7-40
70,0	58,0	28,5	PLA7-45
70,0	60,0	28,0	PLA7-2
70,0	60,0	30,0	PLA7-17
70,0	60,0	50,0	PLA7-19
71,5	44,0	23,0	PLA7-18
71,5	45,0	21,5	PLA7-39
71,5	45,0	25,0	PLA7-28
72,0	38,0	25,0	PLA7-10
72,0	60,0	28,0	PLA7-4
73,0	60,0	29,5	PLA7-5
75,0	30,0	22,0	PLA7-22
75,0	33,0	29,0	PLA7-25
75,0	55,0	30,0	PLA7-16
75,0	55,0	40,0	PLA7-21
75,0	55,0	50,0	PLA7-36
75,0	58,0	40,0	PLA7-42
75,0	60,0	18,0	PLA7-6
75,0	60,0	27,0	PLA7-11
75,0	60,0	30,0	PLA7-1
75,0	64,0	34,0	PLA7-15
75,0	75,0	35,0	PLA7-41
76,0	62,0	30,5	PLA7-24
76,2	50,8	25,4	PLA7-20
78,0	65,0	40,0	PLA7-30
80,0	20,0	20,0	PLA8-13
80,0	50,0	26,0	PLA8-60
80,0	50,0	50,0	PLA8-43
80,0	55,0	30,0	PLA8-37
80,0	60,0	30,0	PLA8-48

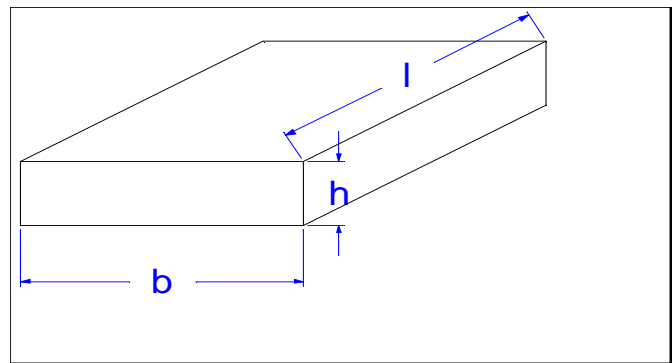


l	b	h	Form-Nr
80,0	60,0	32,0	PLA8-63
80,0	65,0	50,0	PLA8-61
80,0	70,0	18,0	PLA8-12
80,0	70,0	35,0	PLA8-62
80,0	75,0	30,0	PLA8-67
80,0	75,0	40,0	PLA8-65
80,0	80,0	18,0	PLA8-52
80,0	80,0	25,0	PLA8-34
80,0	80,0	27,0	PLA8-64
80,0	80,0	50,0	PLA8-7
81,0	62,5	31,5	PLA8-33
82,0	41,0	41,0	PLA8-25
82,0	65,0	24,0	PLA8-5
84,0	67,5	24,5	PLA8-6
85,0	30,0	24,0	PLA8-21
85,0	30,0	25,0	PLA8-56
85,0	34,0	34,0	PLA8-23
85,0	35,0	30,0	PLA8-44
85,0	65,0	35,0	PLA8-1
85,0	67,0	33,0	PLA8-17
85,0	70,0	28,0	PLA8-3
85,0	70,0	35,0	PLA8-42
86,0	30,0	24,0	PLA8-35
86,0	66,0	24,5	PLA8-18
87,0	29,0	27,0	PLA8-38
87,0	68,0	25,0	PLA8-15
87,0	70,0	34,5	PLA8-4
88,0	70,0	35,0	PLA8-24
89,0	70,0	33,0	PLA8-2
90,0	40,0	40,0	PLA9-6
90,0	50,0	35,0	PLA9-15
90,0	65,0	35,0	PLA9-11
90,0	70,0	20,0	PLA9-3
90,0	70,0	30,0	PLA9-18
90,0	70,0	35,0	PLA9-10
90,0	70,0	35,0	PLA9-10
90,0	70,0	40,0	PLA9-17
90,0	75,0	35,0	PLA9-8
90,0	75,0	63,0	PLA9-5
90,0	78,0	28,0	PLA9-32
90,0	80,0	21,0	PLA9-2
90,0	80,0	35,0	PLA9-33
90,0	85,0	30,0	PLA9-27

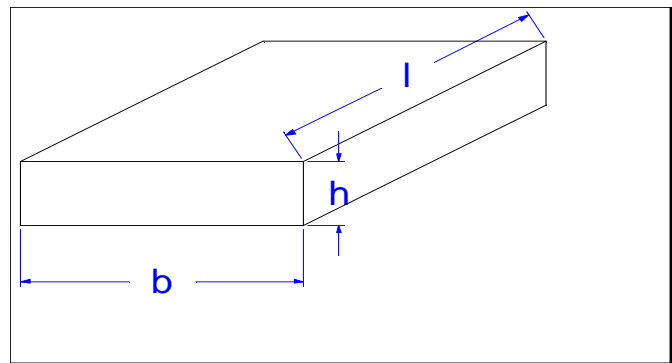


l	b	h	Form-Nr
90,0	85,0	80,0	PLA9-28
90,0	90,0	25,0	PLA9-19
92,0	92,0	60,0	PLA9-31
95,0	30,0	25,0	PLA9-23
95,0	57,0	38,0	PLA9-36
95,0	68,0	20,0	PLA9-4
95,0	75,0	75,0	PLA9-35
95,0	82,0	34,0	PLA9-24
97,0	91,0	60,0	PLA9-29
98,0	52,0	37,0	PLA9-9
98,0	80,0	35,0	PLA9-1
100,0	30,0	15,0	PLA10-33
100,0	40,0	25,0	PLA10-24
100,0	40,0	28,0	PLA10-19
100,0	40,0	40,0	PLA10-15
100,0	50,0	40,0	PLA10-21
100,0	55,0	25,0	PLA10-1
100,0	60,0	40,0	PLA10-35
100,0	66,0	18,5	PLA10-11
100,0	66,0	22,0	PLA10-6
100,0	70,0	22,0	PLA10-29
100,0	70,0	35,0	PLA10-28
100,0	70,0	55,0	PLA10-14
100,0	75,0	40,0	PLA10-34
100,0	75,0	48,0	PLA10-37
100,0	80,0	23,0	PLA10-31
100,0	80,0	25,0	PLA10-13
100,0	80,0	35,0	PLA10-3
100,0	80,0	40,0	PLA10-18
100,0	81,0	23,0	PLA10-17
100,0	85,0	40,0	PLA10-2
100,0	100,0	20,0	PLA10-25
105,0	45,0	31,0	PLA10-42
105,0	68,0	42,0	PLA10-23
110,0	55,0	40,0	PLA11-10
110,0	75,0	40,0	PLA11-5
110,0	78,0	24,0	PLA11-6
110,0	80,0	50,0	PLA11-9
110,0	97,0	26,0	PLA11-7
118,0	33,0	30,0	PLA11-8
118,0	98,0	35,0	PLA11-3
118,0	118,0	20,0	PLA11-1
120,0	55,0	25,0	PLA12-5

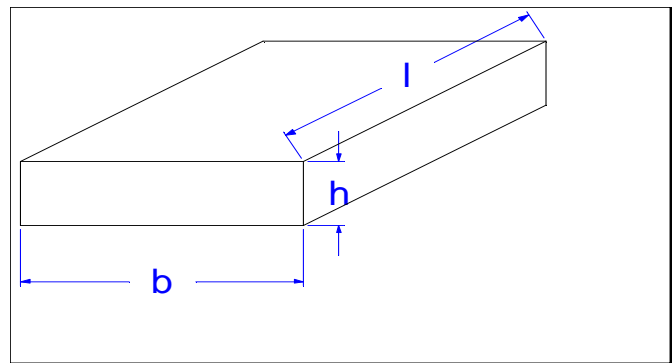




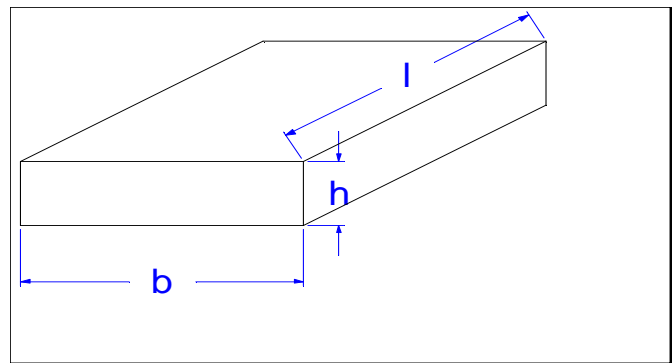
l	b	h	Form-Nr
120,0	60,0	60,0	PLA6-45
120,0	75,0	50,0	PLA12-3
120,0	87,0	70,0	PLA12-21
120,0	90,0	30,0	PLA12-13
120,0	90,0	55,0	PLA12-22
120,0	100,0	27,0	PLA12-15
125,0	62,0	35,0	PLA12-1
125,0	80,0	60,0	PLA12-23
125,0	100,0	29,0	PLA12-12
125,0	125,0	100,0	PLA12-24
127,2	127,2	36,6	PLA12-18
128,0	90,0	40,0	PLA12-2
130,0	90,0	40,0	PLA13-1
130,0	100,0	100,0	PLA13-3
130,0	106,0	20,0	PLA13-7
130,0	110,0	35,0	PLA13-6
135,0	30,0	20,0	PLA3-59
138,0	40,0	34,0	PLA13-2
140,0	33,0	15,0	PLA14-4
140,0	60,0	45,0	PLA14-8
140,0	70,0	67,0	PLA14-10
140,0	100,0	40,0	PLA14-7
140,0	128,0	65,0	PLA14-1
146,0	110,0	44,0	PLA14-5
147,0	137,2	19,6	PLA15-32
148,0	110,0	45,0	PLA14-2
150,0	50,0	30,0	PLA5-60
150,0	60,0	30,0	PLA15-12
150,0	80,0	20,0	PLA15-33
150,0	100,0	40,0	PLA15-26
150,0	100,0	53,0	PLA15-28
150,0	100,0	64,0	PLA15-25
150,0	100,0	70,0	PLA15-21
150,0	100,0	75,0	PLA15-24
150,0	100,0	100,0	PLA15-1
150,0	110,0	15,0	PLA15-4
150,0	115,0	95,0	PLA15-29
150,0	120,0	40,0	PLA15-22
150,0	120,0	80,0	PLA15-14
150,0	140,0	65,0	PLA15-30
150,0	150,0	15,0	PLA15-20
152,4	101,6	50,8	PLA15-27
155,0	120,0	35,0	PLA15-13



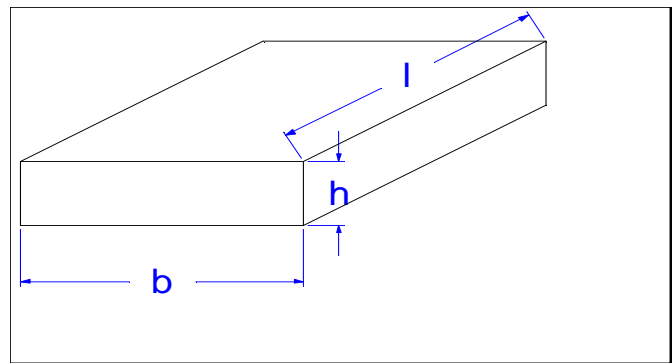
l	b	h	Form-Nr
160,0	50,0	30,0	PLA16-8
160,0	70,0	19,0	PLA16-4
160,0	80,0	80,0	PLA16-9
160,0	80,0	80,0	PLA8-57
160,0	100,0	50,0	PLA16-10
160,0	110,0	110,0	PLA16-6
170,0	40,0	25,0	PLA17-12
170,0	110,0	57,0	PLA17-10
170,0	110,0	72,0	PLA17-7
170,0	170,0	80,0	PLA17-11
171,0	171,0	80,0	PLA17-13
175,0	65,0	30,0	PLA17-3
175,0	100,0	30,0	PLA17-4
177,0	140,0	40,0	PLA17-6
178,0	90,0	25,0	PLA17-11
180,0	120,0	100,0	PLA12-17
185,0	45,0	35,0	PLA4-53
185,0	85,0	60,0	PLA18-11
185,0	140,0	55,0	PLA18-2
185,0	185,0	43,0	PLA18-10
188,0	128,0	55,0	PLA18-8
188,0	140,0	55,0	PLA18-3
190,0	65,0	65,0	PLA19-7
190,0	110,0	70,0	PLA19-10
190,0	130,0	55,0	PLA19-6
190,0	140,0	53,0	PLA19-5
195,0	75,0	18,0	PLA19-1
195,0	100,0	50,0	PLA19-3
196,0	96,0	40,0	PLA19-9
198,0	168,0	25,0	PLA19-8
200,0	80,0	80,0	PLA8-29
200,0	100,0	30,0	PLA20-3
200,0	100,0	60,0	PLA20-12
200,0	100,0	70,0	PLA20-11
200,0	100,0	100,0	PLA20-17
200,0	104,0	104,0	PLA20-38
200,0	110,0	100,0	PLA20-16
200,0	120,0	50,0	PLA20-6
200,0	150,0	80,0	PLA20-15
200,0	190,0	150,0	PLA20-4
200,0	200,0	150,0	PLA20-8
200,0	200,0	200,0	PLA20-5
202,0	60,0	60,0	PLA20-10



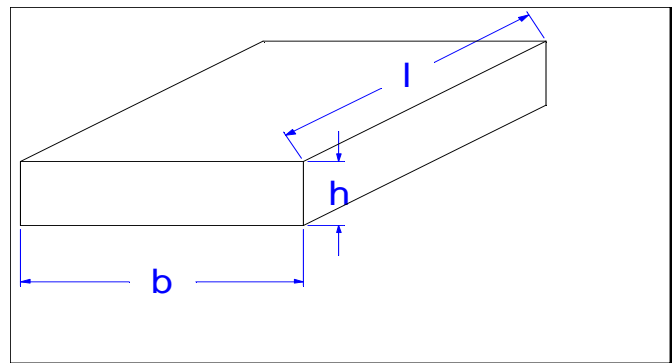
l	b	h	Form-Nr
205,0	130,0	20,0	PLA20-13
206,0	135,0	87,0	PLA20-14
210,0	110,0	80,0	PLA21-5
210,0	120,0	25,0	PLA21-4
210,0	120,0	30,0	PLA21-7
210,0	160,0	48,0	PLA21-2
210,0	200,0	110,0	PLA21-6
215,6	147,0	19,6	PLA22-7
220,0	95,0	50,0	PLA22-6
220,0	98,0	30,0	PLA22-1
220,0	105,0	85,0	PLA22-5
220,0	120,0	110,0	PLA22-4
220,0	125,0	20,0	PLA22-8
220,0	125,0	20,0	PLA22-9
220,0	185,0	120,0	PLA22-3
230,0	110,0	80,0	PLA23-5
230,0	130,0	50,0	PLA23-6
230,0	130,0	100,0	PLA23-1
236,0	235,0	43,0	PLA23-7
240,0	25,0	25,0	PLA2-33
240,0	50,0	30,0	PLA24-5
240,0	100,0	15,0	PLA24-7
240,0	105,0	85,0	PLA24-6
240,0	170,0	105,0	PLA24-2
245,0	145,0	20,0	PLA24-1
245,0	165,0	110,0	PLA24-8
250,0	30,0	20,0	PLA3-59
250,0	40,0	40,0	PLA25-19
250,0	50,0	25,0	PLA25-15
250,0	90,0	25,0	PLA25-2
250,0	90,0	80,0	PLA25-14
250,0	95,0	27,0	PLA25-12
250,0	95,0	34,0	PLA25-9
250,0	95,0	40,0	PLA25-11
250,0	100,0	25,0	PLA25-5
250,0	110,0	25,0	PLA25-3
250,0	120,0	60,0	PLA25-10
250,0	150,0	25,0	PLA25-8
250,0	190,0	160,0	PLA25-16
250,0	200,0	100,0	PLA25-7
250,0	200,0	120,0	PLA25-13
250,0	250,0	15,0	PLA25-6
254,0	50,8	12,7	PLA25-17



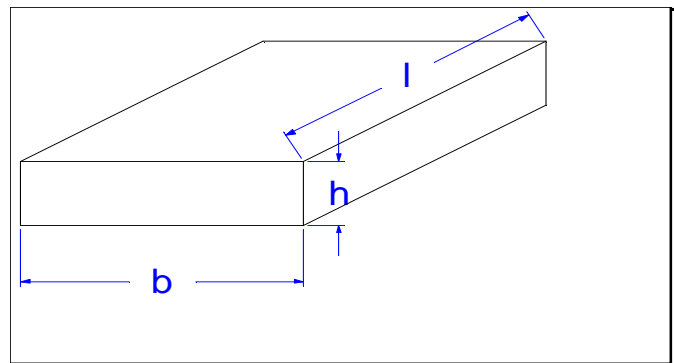
l	b	h	Form-Nr
255,0	65,0	255,0	PLA25-20
255,0	176,0	53,0	PLA25-4
260,0	120,0	70,0	PLA26-2
260,0	120,0	80,0	PLA26-1
265,0	65,0	30,0	PLA26-3
270,0	210,0	30,0	PLA27-1
275,0	120,0	6,0	PLA27-1
280,0	15,0	15,0	PLA1-14
280,0	100,0	40,0	PLA28-4
280,0	110,0	40,0	PLA28-3
280,0	120,0	43,0	PLA28-1
280,0	120,0	60,0	PLA28-5
280,0	135,0	85,0	PLA28-6
280,0	150,0	120,0	PLA28-7
280,0	235,0	160,0	PLA28-8
280,0	240,0	30,0	PLA28-2
285,7	50,8	12,7	PLA28-9
297,0	102,0	80,0	PLA29-2
297,0	200,0	80,0	PLA29-3
300,0	50,0	30,0	PLA5-70
300,0	180,0	20,0	PLA30-4
300,0	200,0	70,0	PLA30-2
300,0	250,0	30,0	PLA30-1
300,0	260,0	145,0	PLA30-3
300,0	300,0	150,0	PLA30-5
305,0	100,0	20,0	PLA10-36
320,0	130,0	80,0	PLA32-1
330,0	40,0	40,0	PLA4-109
330,0	50,0	20,0	PLA33-2
330,0	70,0	30,0	PLA33-5
330,0	100,0	60,0	PLA33-4
330,0	110,0	40,0	PLA33-1
330,0	170,0	75,0	PLA33-3
340,0	200,0	20,0	PLA34-3
340,0	255,0	80,0	PLA34-2
340,0	300,0	30,0	PLA34-1
340,0	340,0	54,0	PLA34-4
343,0	150,0	25,0	PLA15-16
350,0	80,0	80,0	PLA8-29
350,0	150,0	85,0	PLA35-1
350,0	350,0	25,0	PLA35-2
380,0	22,0	22,0	PLA38-1
380,0	80,0	60,0	PLA38-2



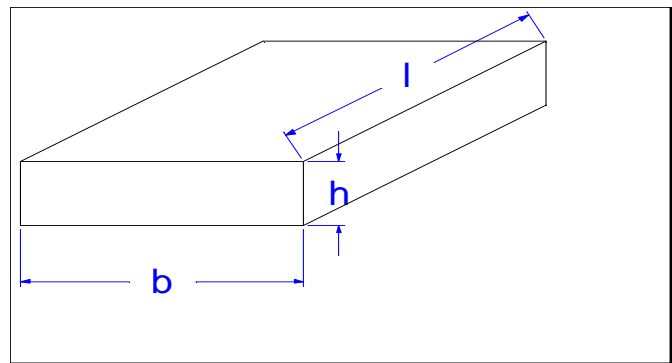
l	b	h	Form-Nr
380,0	100,0	20,0	PLA10-32
380,0	115,0	65,0	PLA11-4
390,0	15,0	15,0	PLA1-26
390,0	45,0	18,0	PLA4-92
400,0	15,0	15,0	PLA1-27
400,0	18,0	18,0	PLA1-28
400,0	37,0	15,0	PLA40-7
400,0	140,0	100,0	PLA40-6
400,0	200,0	20,0	PLA40-2
400,0	200,0	25,0	PLA40-3
400,0	200,0	100,0	PLA40-5
410,0	199,0	25,0	PLA41-1
415,0	320,0	20,0	PLA41-2
420,0	34,0	7,0	PLA42-4
420,0	236,0	20,0	PLA42-1
420,0	330,0	30,0	PLA42-2
420,0	420,0	40,0	PLA45-4
450,0	22,0	22,0	PLA45-2
450,0	30,0	24,0	PLA3-95
450,0	40,0	40,0	PLA45-6
450,0	70,0	60,0	PLA7-29
450,0	85,0	30,0	PLA45-5
450,0	160,0	30,0	PLA16-5
450,0	170,0	20,0	PLA45-1
450,0	240,0	15,0	PLA45-3
470,0	70,0	60,0	PLA7-29
473,0	15,0	15,0	PLA1-24
475,0	18,0	18,0	PLA1-29
480,0	14,0	14,0	PLA1-29
490,0	20,0	20,0	PLA2-76
490,0	20,0	20,0	PLA2-88
500,0	17,0	17,0	PLA1-9
500,0	19,0	19,0	PLA50-9
500,0	24,0	15,5	PLA2-77
500,0	24,0	16,0	PLA2-47
500,0	25,0	16,0	PLA50-5
500,0	27,0	14,0	PLA2-42
500,0	30,0	20,0	PLA3-70
500,0	33,0	20,0	PLA3-63
500,0	35,0	20,0	PLA3-87
500,0	37,0	15,0	PLA50-12
500,0	37,0	17,0	PLA50-8
500,0	40,0	24,0	PLA4-77



l	b	h	Form-Nr
500,0	42,0	25,0	PLA50-6
500,0	43,0	37,0	PLA50-7
500,0	44,0	26,0	PLA4-64
500,0	45,0	24,0	PLA4-95
500,0	45,0	25,0	PLA4-87
500,0	100,0	25,0	PLA10-22
500,0	100,0	70,0	PLA10-7
500,0	150,0	80,0	PLA15-5
500,0	170,0	170,0	PLA50-10
500,0	500,0	14,0	PLA50-1
500,0	500,0	16,0	PLA50-1
500,0	500,0	18,0	PLA50-1
500,0	500,0	20,0	PLA50-1
500,0	500,0	40,0	PLA50-4
500,0	500,0	80,0	PLA50-2
500,0	500,0	120,0	PLA50-3
502,0	22,0	18,0	PLA50-11
510,0	60,0	60,0	PLA51-2
510,0	190,0	25,0	PLA51-1
510,0	510,0	5,0	PLA51-3
520,0	24,5	24,5	PLA2-90
520,0	40,0	28,0	PLA52-1
525,0	19,0	19,0	PLA1-18
530,0	15,0	15,0	PLA1-25
540,0	200,0	20,0	PLA54-1
540,0	480,0	30,0	PLA54-2
550,0	28,0	15,0	PLA55-1
550,0	50,0	28,0	PLA55-2
550,0	80,0	33,0	PLA8-26
550,0	90,0	35,0	PLA55-3
550,0	210,0	20,0	PLA55-4
550,0	305,0	25,0	PLA55-5
560,0	84,0	70,0	PLA56-3
560,0	310,0	150,0	PLA56-1
565,0	320,0	20,0	PLA56-2
570,0	15,0	15,0	PLA1-19
570,0	16,0	16,0	PLA1-31
570,0	19,0	19,0	PLA1-32
570,0	20,0	20,0	PLA2-55
570,0	22,0	22,0	PLA2-91
570,0	22,0	22,0	PLA57-1
571,0	206,0	25,0	PLA57-2
571,0	250,0	25,0	PLA57-3

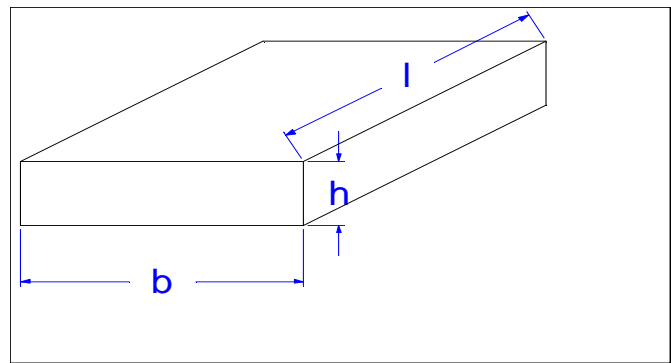


l	b	h	Form-Nr
573,0	30,0	28,0	PLA57-4
575,0	75,0	30,0	PLA57-5
590,0	20,0	20,0	PLA2-85
600,0	25,0	15,0	PLA2-28
600,0	50,0	30,0	PLA5-69
600,0	60,0	25,0	PLA6-21
610,0	140,0	15,0	PLA60-3
620,0	60,0	40,0	PLA60-10
642,0	380,0	30,0	PLA60-6
645,0	120,0	90,0	PLA60-8
645,0	159,0	90,0	PLA15-23
645,0	160,0	90,0	PLA60-7
650,0	70,0	70,0	PLA7-37
650,0	155,0	120,0	PLA60-4
650,0	405,0	20,0	PLA60-9
650,0	650,0	30,0	PLA60-5
685,0	150,0	25,0	PLA15-15
700,0	17,0	17,0	PLA70-5
700,0	40,0	37,0	PLA70-6
700,0	50,0	30,0	PLA5-68
700,0	130,0	65,0	PLA70-7
700,0	200,0	40,0	PLA70-8
700,0	700,0	15,0	PLA70-9
710,0	120,0	15,0	PLA12-8
720,0	460,0	25,0	PLA70-3
720,0	465,0	25,0	PLA78-2
720,0	580,0	40,0	PLA78-8
725,0	15,0	15,0	PLA78-5
725,0	22,0	22,0	PLA2-92
725,0	265,0	20,0	PLA78-4
730,0	135,0	60,0	PLA70-2
733,0	150,0	20,0	PLA78-3
735,0	150,0	150,0	PLA15-18
745,0	27,5	24,0	PLA78-6
750,0	26,0	22,0	PLA78-9
750,0	70,0	25,0	PLA7-50
750,0	80,0	60,0	PLA8-51
750,0	120,0	60,0	PLA70-4
760,0	20,0	20,0	PLA2-87
765,0	460,0	95,0	PLA46-1
775,0	219,0	76,0	PLA21-3s
780,0	40,0	40,0	PLA78-7
780,0	660,0	80,0	PLA78-1

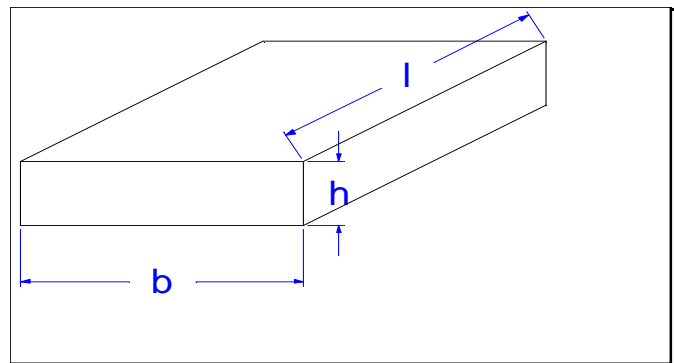


l	b	h	Form-Nr
790,0	190,0	25,0	PLA79-1
800,0	100,0	100,0	PLA10-41
800,0	120,0	65,0	PLA12-19
800,0	150,0	120,0	PLA80-14
800,0	200,0	50,0	PLA80-8
800,0	400,0	50,0	PLA80-6
800,0	430,0	350,0	PLA80-1
805,0	100,0	100,0	PLA80-2
805,0	110,0	90,0	PLA80-10
810,0	50,0	16,0	PLA5-65
810,0	120,0	65,0	PLA80-11
830,0	70,0	30,0	PLA80-12
835,0	40,0	15,0	PLA80-7
850,0	210,0	40,0	PLA85-1
850,0	650,0	30,0	PLA85-2
855,0	100,0	25,0	PLA10-27
868,0	104,0	104,0	PLA80-9
870,0	300,0	100,0	PLA80-13
900,0	10,0	10,0	PLA1-20
900,0	250,0	25,0	PLA90-2
950,0	32,0	17,0	PLA3-67
970,0	60,0	20,0	PLA6-112
970,0	70,0	20,0	PLA7-48
970,0	600,0	100,0	PLA60-2
1000,0	16,5	16,5	PLA1-11
1000,0	25,0	15,0	PLA100-14
1000,0	25,0	17,0	PLA100-15
1000,0	25,0	20,0	PLA100-18
1000,0	25,0	25,0	PLA100-39
1000,0	26,0	18,0	PLA100-27
1000,0	26,0	22,0	PLA100-40
1000,0	30,0	20,0	PLA100-6
1000,0	30,0	30,0	PLA100-3
1000,0	31,0	31,0	PLA100-29
1000,0	35,0	15,0	PLA100-23
1000,0	35,0	20,0	PLA100-12
1000,0	35,0	32,0	PLA3-85
1000,0	35,0	35,0	PLA100-28
1000,0	38,0	27,0	PLA100-9
1000,0	40,0	20,0	PLA4-67
1000,0	40,0	25,0	PLA100-11
1000,0	40,0	30,0	PLA4-38
1000,0	40,0	35,0	PLA100-30

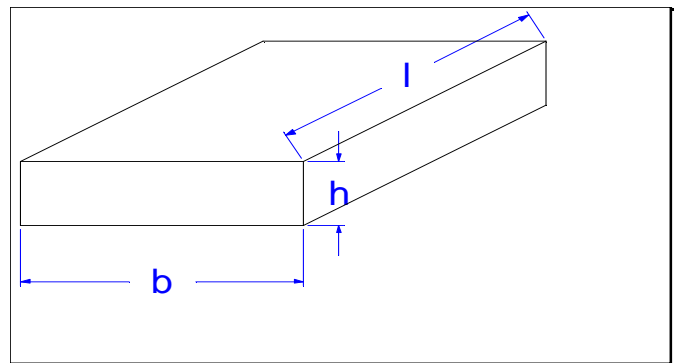




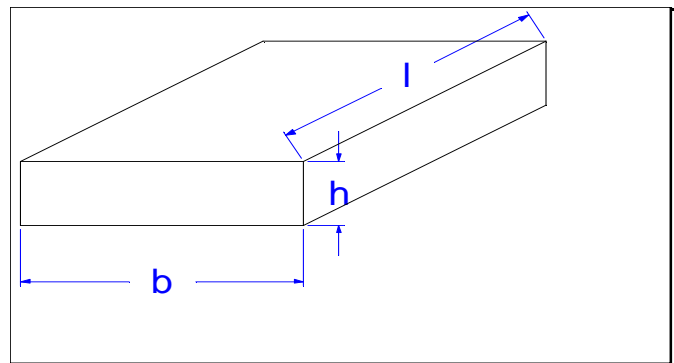
l	b	h	Form-Nr
1000,0	45,0	30,0	PLA100-19
1000,0	45,0	30,0	PLA100-42
1000,0	50,0	15,0	PLA100-22
1000,0	50,0	40,0	PLA5-83
1000,0	50,0	200,0	PLA100-43
1000,0	52,0	40,0	PLA100-38
1000,0	55,0	30,0	PLA5-18
1000,0	55,0	55,0	PLA100-37
1000,0	57,0	25,0	PLA100-10
1000,0	58,0	20,0	PLA100-35
1000,0	58,0	20,0	PLA100-35
1000,0	60,0	20,0	PLA100-20
1000,0	60,0	25,0	PLA100-25
1000,0	60,0	30,0	PLA100-16
1000,0	60,0	40,0	PLA100-41
1000,0	60,0	50,0	PLA6-90
1000,0	65,0	50,0	PLA100-5
1000,0	67,0	30,0	PLA6-70
1000,0	75,0	50,0	PLA100-13
1000,0	80,0	15,0	PLA100-4
1000,0	80,0	20,0	PLA100-21
1000,0	80,0	30,0	PLA8-47
1000,0	80,0	55,0	PLA8-8
1000,0	83,0	30,0	PLA100-24
1000,0	96,0	30,0	PLA9-16
1000,0	100,0	40,0	PLA100-17
1000,0	105,0	15,0	PLA100-31
1000,0	110,0	100,0	PLA100-34
1000,0	140,0	20,0	PLA100-33
1000,0	150,0	20,0	PLA15-6
1000,0	150,0	30,0	PLA100-8
1000,0	150,0	50,0	PLA15-3
1000,0	170,0	20,0	PLA17-2
1000,0	180,0	65,0	PLA18-7
1000,0	200,0	20,0	PLA100-7
1000,0	250,0	15,0	PLA25-1
1000,0	400,0	90,0	PLA40-4
1000,0	500,0	25,0	PLA100-26
1000,0	1000,0	22,0	PLA100-2
1030,0	410,0	290,0	PLA105-4
1041,0	907,0	30,0	PLA105-3
1050,0	20,0	16,0	PLA105-1
1050,0	90,0	20,0	PLA9-21



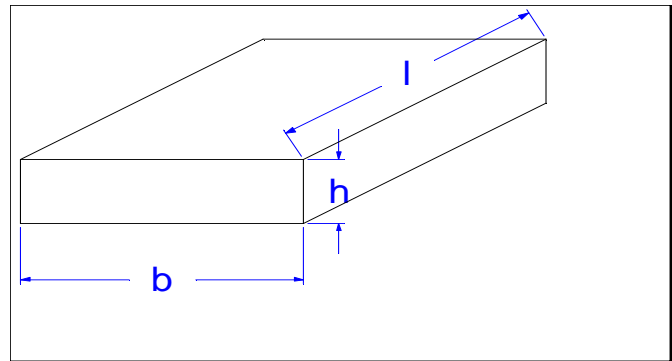
l	b	h	Form-Nr
1050,0	100,0	25,0	PLA105-2
1060,0	90,0	90,0	PLA9-22
1080,0	360,0	6,0	PLA36-1
1100,0	32,0	17,0	PLA3-67
1100,0	35,0	10,0	PLA110-12
1100,0	50,0	20,0	PLA110-10
1100,0	75,0	20,0	PLA110-9
1100,0	100,0	20,0	PLA110-7
1100,0	100,0	35,0	PLA110-14
1100,0	125,0	20,0	PLA110-3
1100,0	235,0	30,0	PLA23-2
1100,0	235,0	30,0	PLA23-4s
1100,0	600,0	30,0	PLA60-1
1130,0	150,0	20,0	PLA110-1
1148,0	260,0	20,0	PLA110-6
1150,0	25,0	15,0	PLA110-5
1150,0	250,0	25,0	PLA110-4
1160,0	440,0	20,0	PLA110-2
1180,0	180,0	25,0	PLA110-8
1190,0	1190,0	30,0	PLA110-13
1200,0	60,0	60,0	PLA120-1
1200,0	100,0	80,0	PLA120-5
1200,0	120,0	20,0	PLA120-2
1200,0	120,0	35,0	PLA120-8
1200,0	900,0	10,0	PLA90-1
1204,0	25,0	46,0	PLA120-7
1220,0	90,0	40,0	PLA120-3
1240,0	741,0	30,0	PLA120-4
1250,0	32,0	17,0	PLA3-67
1250,0	80,0	20,0	PLA8-40
1250,0	300,0	30,0	PLA120-6
1250,0	1018,0	30,0	PLA125-3
1260,0	500,0	20,0	PLA125-2
1300,0	40,0	30,0	PLA130-3
1300,0	46,0	45,0	PLA130-1
1340,0	1340,0	30,0	PLA130-4
1350,0	20,0	20,0	PLA2-18
1381,0	907,0	30,0	PLA130-5
1400,0	15,0	15,0	PLA1-8
1400,0	32,0	17,0	PLA3-67
1400,0	120,0	15,0	PLA12-7
1400,0	420,0	30,0	PLA140-1
1400,0	605,0	35,0	PLA140-2



l	b	h	Form-Nr
1430,0	101,0	18,0	PLA140-4
1450,0	80,0	40,0	PLA140-5
1495,0	1018,0	30,0	PLA140-3
1500,0	50,0	30,0	PLA150-6
1500,0	65,0	40,0	PLA150-4
1500,0	80,0	15,0	PLA8-53
1500,0	100,0	100,0	PLA10-41
1500,0	150,0	20,0	PLA150-3
1500,0	235,0	30,0	PLA23-3
1500,0	340,0	72,0	PLA150-2
1525,0	127,0	25,4	PLA150-5
1550,0	150,0	20,0	PLA150-7
1550,0	230,0	100,0	PLA150-1
1600,0	28,0	17,0	PLA116-4
1600,0	80,0	80,0	PLA8-36
1600,0	1500,0	10,0	PLA116-3
1630,0	100,0	20,0	PLA116-1
1645,0	80,0	40,0	PLA116-5
1650,0	51,5	40,0	PLA5-63
1695,0	165,0	80,0	PLA116-2
1750,0	200,0	25,0	PLA117-2
1750,0	250,0	25,0	PLA117-1
1750,0	1250,0	12,0	PLA117-3
1800,0	32,0	17,0	PLA3-67
1830,0	70,0	70,0	PLA7-34
1846,0	340,0	25,0	PLA180-5
1850,0	300,0	25,0	PLA180-1
1860,0	70,0	70,0	PLA7-34
1900,0	65,0	65,0	PLA190-1
1900,0	120,0	60,0	PLA12-14
2000,0	16,0	14,5	PLA1-16
2000,0	20,0	20,0	PLA2-65
2000,0	25,0	20,0	PLA200-4
2000,0	30,0	30,0	PLA200-6
2000,0	40,0	36,0	PLA200-10
2000,0	50,0	50,0	PLA5-56
2000,0	60,0	60,0	PLA200-8
2000,0	65,0	15,0	PLA6-83
2000,0	70,0	30,0	PLA200-9
2000,0	80,0	15,0	PLA8-55
2000,0	100,0	20,0	PLA10-8
2000,0	120,0	20,0	PLA12-9
2000,0	120,0	30,0	PLA200-7



l	b	h	Form-Nr
2000,0	150,0	50,0	PLA15-17
2000,0	160,0	60,0	PLA16-11
2000,0	180,0	15,0	PLA18-6
2000,0	200,0	15,0	PLA20-2
2000,0	300,0	30,0	PLA200-11
2000,0	2000,0	20,0	PLA200-5
2010,0	40,0	18,0	PLA210-2
2040,0	40,0	18,0	PLA210-6
2050,0	160,0	15,0	PLA16-1
2080,0	1530,0	12,0	PLA210-5
2100,0	1200,0	10,0	PLA210-3
2110,0	15,0	15,0	PLA1-22
2135,0	40,0	20,0	PLA4-21
2180,0	165,0	15,0	PLA16-3
2185,0	150,0	25,0	PLA210-1
2223,0	297,0	30,0	PLA220-1
2255,0	60,0	30,0	PLA220-5
2450,0	70,0	20,0	PLA7-12
2450,0	90,0	20,0	PLA9-7
2500,0	20,0	20,0	PLA2-89
2500,0	90,0	15,0	PLA250-1
2510,0	60,0	45,0	PLA6-31
2550,0	41,0	20,0	PLA4-65s
2550,0	60,0	20,0	PLA6-30
2550,0	80,0	20,0	PLA8-16
2600,0	200,0	25,0	PLA260-1
2610,0	60,0	15,0	PLA6-31
2650,0	60,0	20,0	PLA6-30
2650,0	1000,0	50,0	PLA260-2
2750,0	77,0	30,0	PLA270-1
2750,0	115,0	30,0	PLA270-1
2750,0	120,0	30,0	PLA270-1
3000,0	25,0	15,0	PLA300-1
3000,0	70,0	40,0	PLA300-11
3000,0	150,0	25,0	PLA300-8
3000,0	160,0	15,0	PLA300-6
3000,0	800,0	14,0	PLA300-4
3000,0	1000,0	60,0	PLA300-9
3050,0	75,0	75,0	PLA300-10
3050,0	85,0	15,0	PLA300-7
3100,0	200,0	30,0	PLA310-1
3100,0	200,0	40,0	PLA310-3
3100,0	220,0	32,0	PLA310-2



l	b	h	Form-Nr
3360,0	80,0	25,0	PLA330-1
3400,0	170,0	20,0	PLA340-2
3400,0	200,0	40,0	PLA340-1
3570,0	50,0	20,0	PLA350-1
3700,0	60,0	20,0	PLA370-2
3750,0	60,0	20,0	PLA370-2
3750,0	363,0	15,0	PLA370-1
3800,0	100,0	25,0	PLA380-1
3900,0	350,0	20,0	PLA390-1
4000,0	25,0	25,0	PLA2-70
4000,0	40,0	40,0	PLA4-60
4000,0	200,0	50,0	PLA400-1
5000,0	50,0	50,0	PLA5-51
5000,0	60,0	30,0	PLA500-1
5000,0	120,0	15,0	PLA12-16
5700,0	80,0	40,0	PLA500-2